

Corian®: the collection of sinks and bowls



www.corian.co.uk
www.corian.com



corian.

Let your imagination flow

Imagine a kitchen or bathroom where colours and textures flow seamlessly together. Where surfaces, sinks and bowls become elegant waterfalls of smooth, sleek lines.

Wouldn't it be wonderful if you could design your kitchen or bathroom to be like that? You can. With Corian®.

Simply make Corian® kitchen sinks and vanity bowls integral parts of your Corian® surfaces. It's not only a sensational look, but practical.

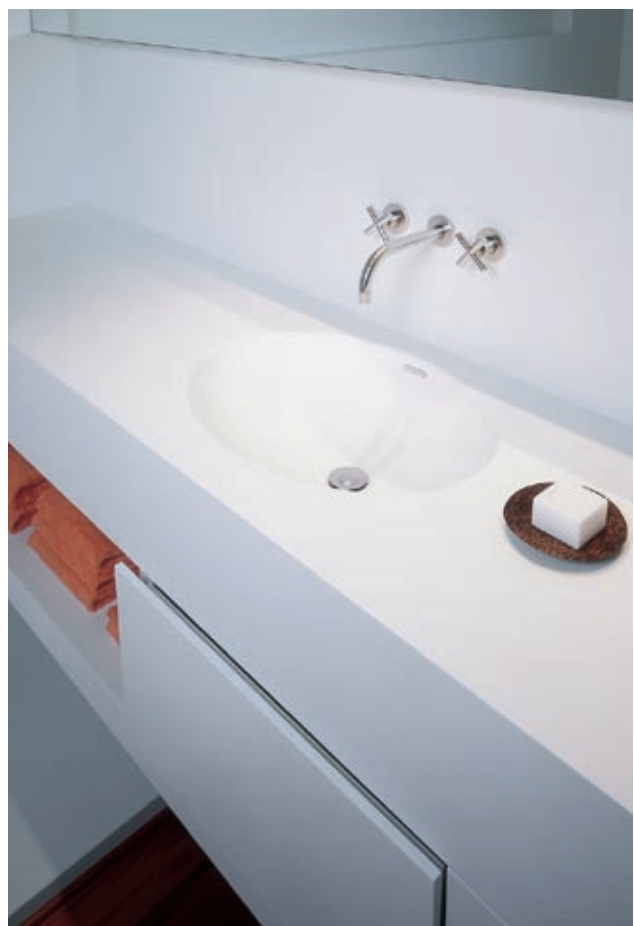
With the non-porous nature of Corian® there are no open sink joints or seams. So you can spend less time worrying about stains, dirt, germs and mildew. And find time for much more creative endeavours than cleaning.

Seamless integration

The ability to create an entire, continuous surface in Corian®, incorporating sinks or bowls, is one of material's main advantages.

Seamed undermounting techniques eliminate rims that trap dirt and water, minimizing cleaning and maintenance.

The ease of installation of single or double sinks or a series of units, makes it possible to design spaces that respond to criteria of practicality and multiple use, alongside highly emotional, individual, aesthetic values.



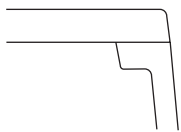
Colour Options

It's easy to find a colour combination in Corian® that expresses your attitude, personality and sense of style.

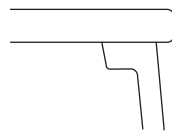
Mounting options: S

Undermount

- Seamless



- Classical



Use & Care

Depend on us to make your life easier. Corian® is an advanced blend of natural materials and acrylic polymer. By nature, that makes Corian® easy to clean, easy to care for and easy to live with.

Of course, Corian® isn't self-cleaning. Few things are. But only minimal care is required to maintain its good looks. And if accidents happen, it's a comfort to know that Corian® is non-porous, stain-resistant, durable and renewable.

For detailed instructions, please ask your Corian® specialist for guidelines on using and caring for your Corian®.

Quality Network & Warranty

Count on us to keep our promises. Corian® is backed by a 10-Year Limited Product Warranty. When the Corian® Quality Network installs your Corian®, the entire installation is under limited warranty for 10 years, too.

Our team of authorised fabricators and installers are trained in the latest techniques for working with Corian®. And they're committed to deliver the highest levels of quality and customer service at the lowest possible installed cost.



GLACIER WHITE



CAMEO WHITE



BONE



VANILLA



QUALITY NETWORK

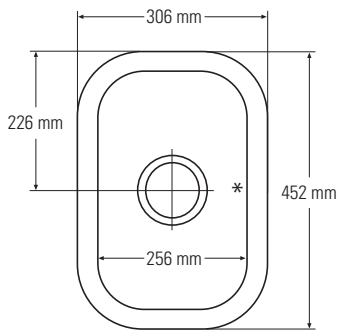
DuPont™
CORIAN®
SOLID SURFACES

SMALL SINGLE SINKS

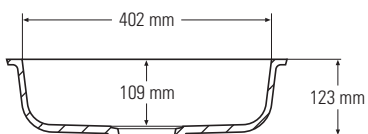
802



Top view
* overflow



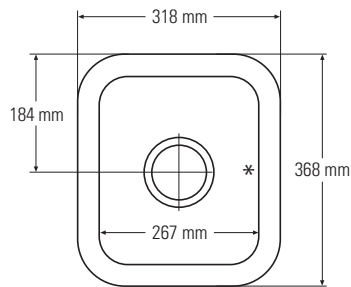
Side cross-section



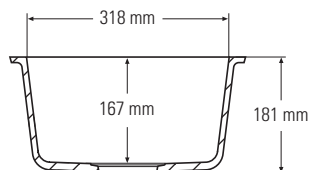
809



Top view
* overflow



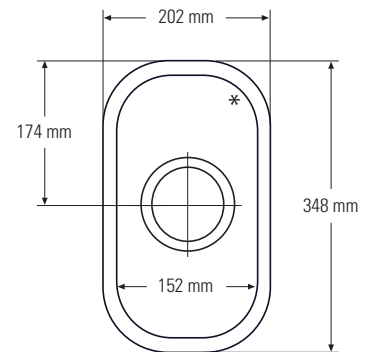
Side cross-section



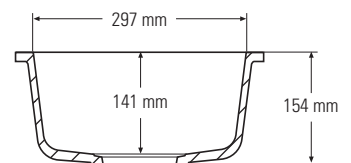
857



Top view
* overflow



Side cross-section

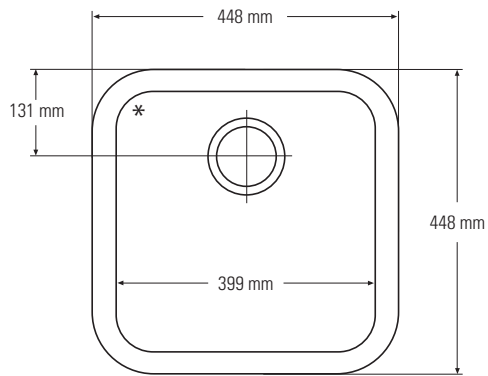


LARGE SINGLE SINKS

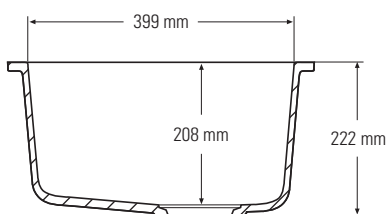
804



Top view
* overflow



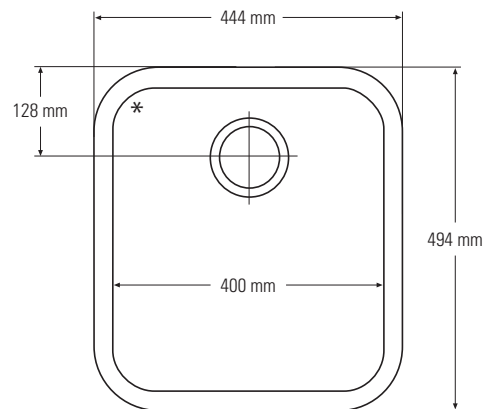
Side cross-section



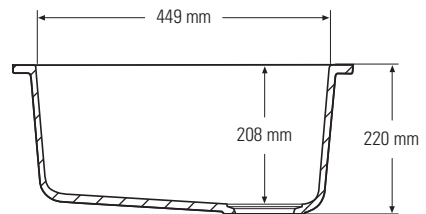
805



Top view
* overflow



Side cross-section

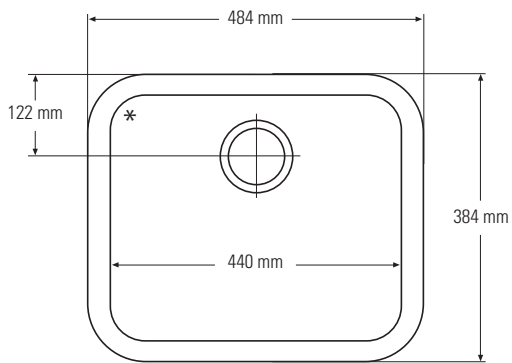


LARGE SINGLE SINKS

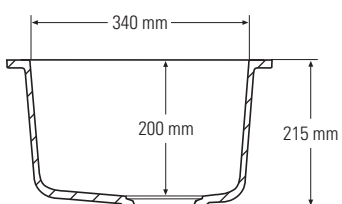
859



Top view
* overflow



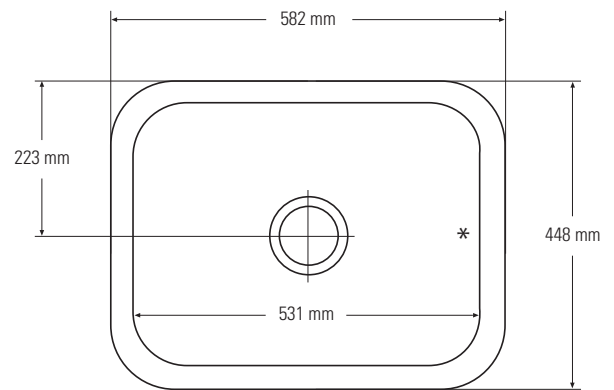
Side cross-section



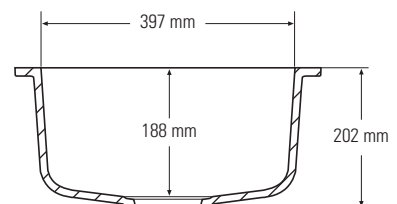
871



Top view
* overflow



Side cross-section

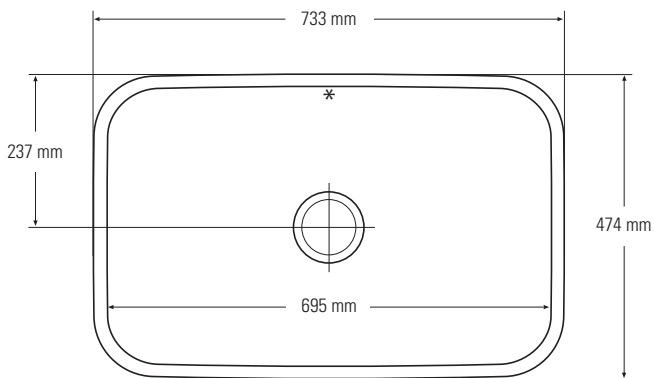


LARGE SINGLE SINKS

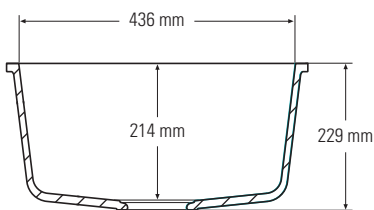
881



Top view
* overflow



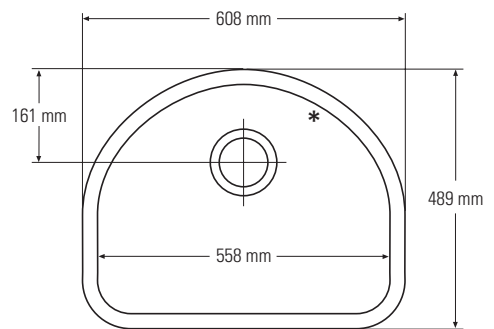
Side cross-section



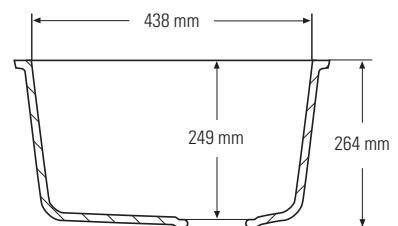
901



Top view
* overflow



Side cross-section

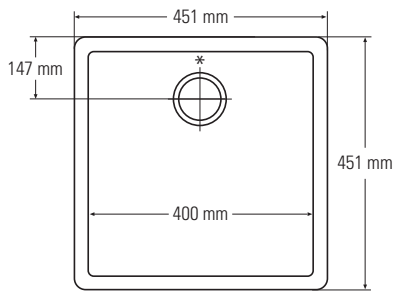


LARGE SINGLE SINKS

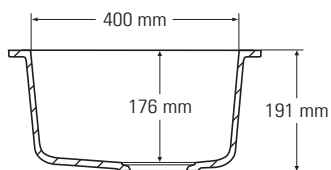
965



Top view
* overflow



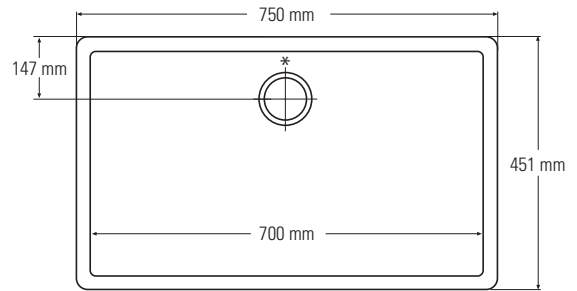
Side cross-section



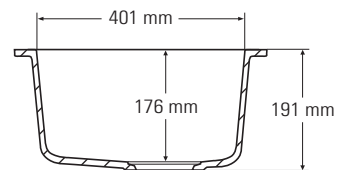
966



Top view
* overflow



Side cross-section

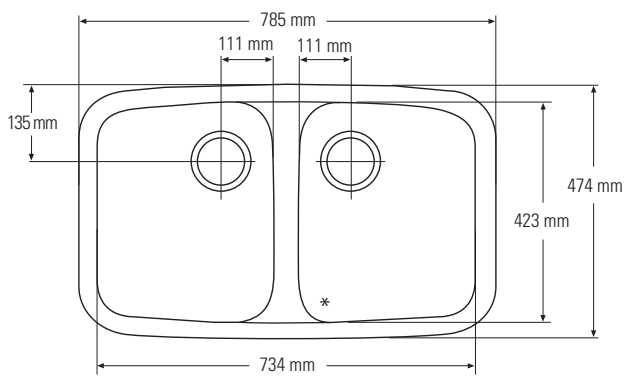


DOUBLE SINKS

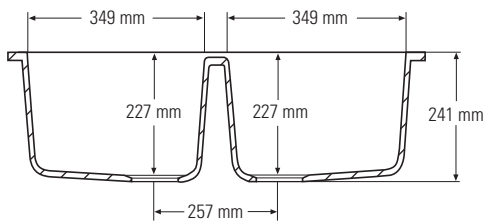
850



Top view
* overflow



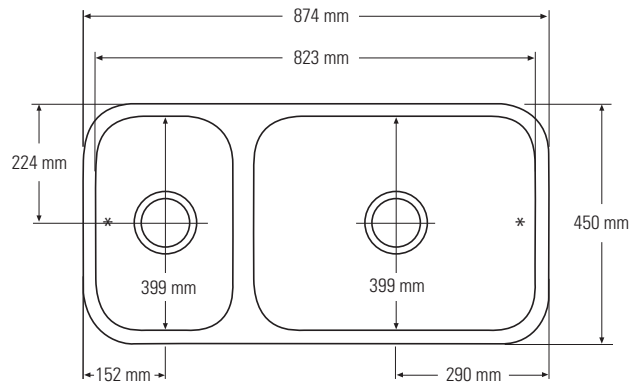
Front cross-section



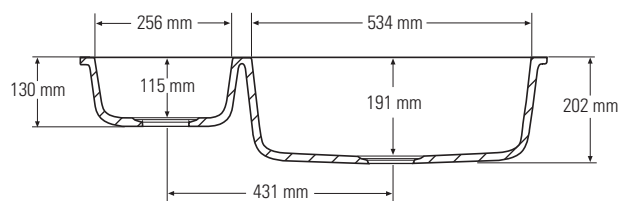
873



Top view
* overflow



Front cross-section

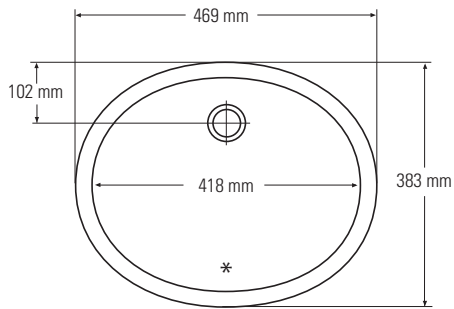


BOWLS

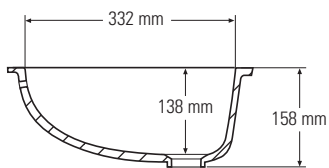
810



Top view
* overflow



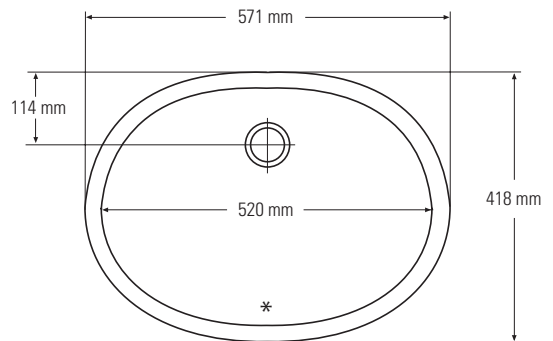
Side cross-section



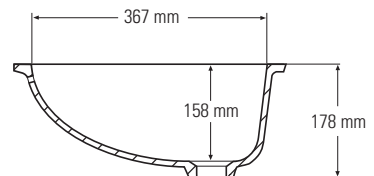
815



Top view
* overflow



Side cross-section

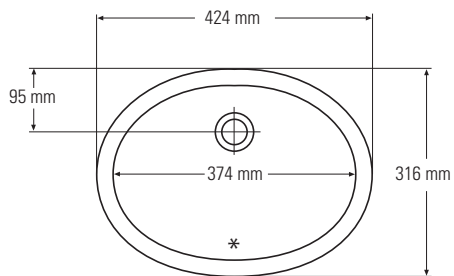


BOWLS

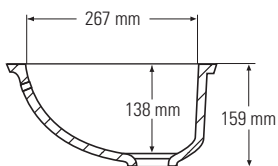
820



Top view
* overflow



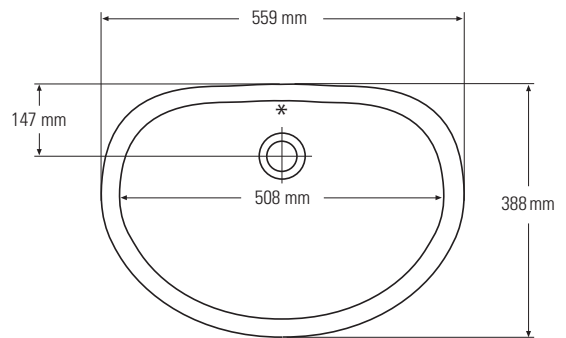
Side cross-section



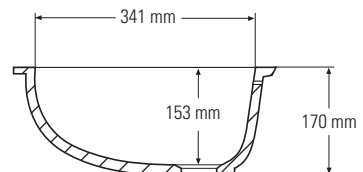
831



Top view
* overflow



Side cross-section





Design Hofman Dujardin architecten

www.corian.co.uk – www.corian.com

0800/962 116 (UK), 1800/553 252 (IRL),
0800/91 72 72 (F), 0800/1810018 (D),
0800/554614 (CH), 800/876750 (I),
0800/29 5833 (A), 0800/96 666 (B),
800/23079 (L), 901/120 089 (E),
0800/022 35 00 (NL), ++351 227 536 900 (Portugal),
++30 210 3418050 (Greece),
++46 31 57 68 00 (Nordic Countries),
++7 495 797 2226 (Russia),
++380 50 310 79 19 (Ukraine & Kazakhstan),
++40 31 62 04 111 (Romania, Bulgaria & Serbia),
++420 257 414 213 (Czech republic, Slovakia & Hungary),
++420 257 414 213 (Central & Eastern Europe),
++971 4 321 1530 (Pakistan, Middle East, Africa, Malta & Cyprus),
++90 212 340 0400 (Turkey, Israel & Central Asia*)

* = Azerbaijan, Turkmenistan, Uzbekistan et Kirgystan

To learn more about DuPont™ Zodiaq®,
our quartz surfaces material, call us or visit:
www.zodiaq.com

The DuPont Oval Logo, DuPont™, The miracles of science™, Corian® and Zodiaq® are registered trademarks or trademarks of E. I. du Pont de Nemours and Company or its affiliates. Only DuPont produces Corian® and Zodiaq®. © Copyright 2007 of E. I. du Pont de Nemours and Company or its affiliates.
L-14058-00 (01.08)



The miracles of science™